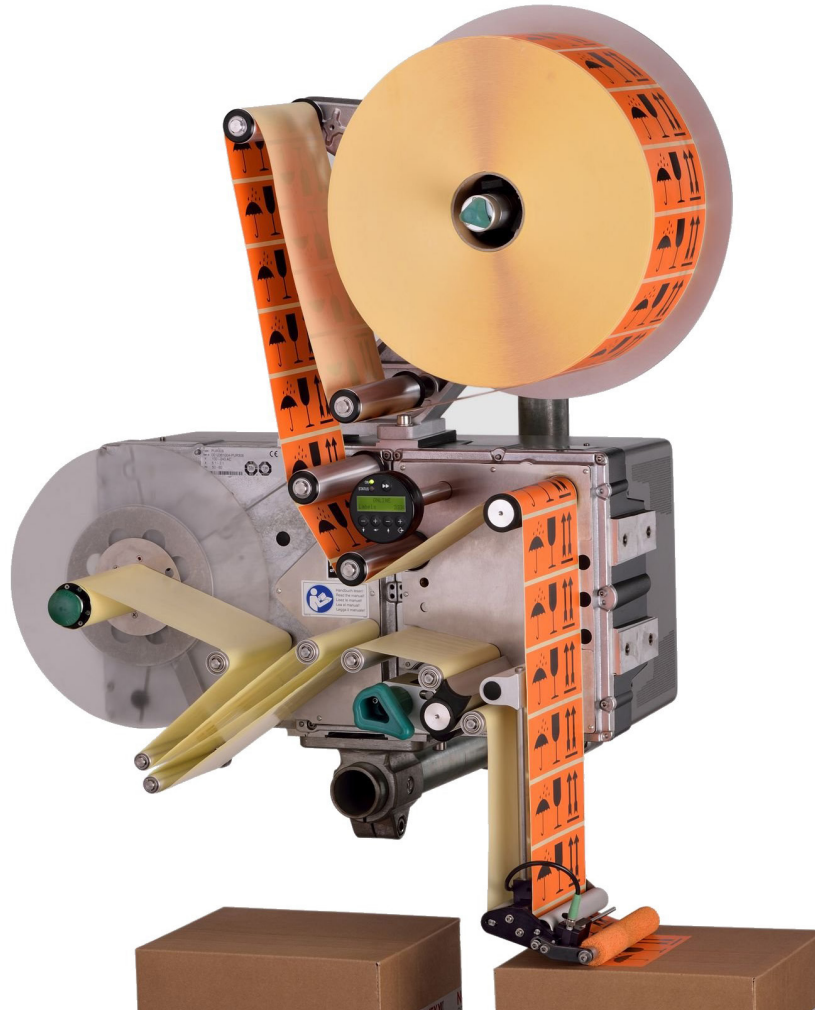




ALS 3X Series



Features

- Two models to choose from
- Rugged design for continuous 24/7 operation
- 400 mm (16") Power Assisted Unwind advanced web control for accurate label placement
- Modular concept that is highly adaptable to suit any application
- Feature rich, microprocessor controls
- User-friendly, rotatable operator interface
- Right or left hand configuration
- Variety of applicators using wipe-on or tamp/blow technology
- Configurable for top, side or bottom labeling
- Backed by Accraply's "Gold Standard of Service"

Accraply / ALS 3X Series Stand-Alone Applicator

For 45 years Accraply has designed, engineered and built high quality labelling systems to help our customers meet their labeling demands.

Accraply's model 306 and 309 pressure sensitive label applicators are ideal for a wide range of labeling applications. The three stepper motor drives and integrated electronics provide speed and precision in a modular design.

The 3x Series comes standard as a wipe-on applicator for applying labels to the top, side, or bottom of products. They can be integrated with existing packaging equipment, used as stand-alone portable labelers or supplied with custom designed product handling systems from Accraply.

These high performance labelers offer the flexibility to run many types of pressure sensitive labels including thin films, clear films, hang-tabs, Sensormatic/Checkpoint tags, coupons and booklet style labels.

Features

- Wide range of label width & length adjustment
- 16"/400mm diameter label roll capacity with built in label roll OD sensor & advanced label web tension control
- Dual nip drive and label "push" roller for precise and consistent label feed
- Independently driven, collapsible rewind for quick easy removal of the waste paper
- Microprocessor with built-in applicator controls, auto diagnosis and auto set-up of the label sensor and label pitch
- General error signal to indicate end of labels, missing label on web & no gap found
- Integrated redundant label applicator control for non-stop label roll changes
- Automatic product speed following (available with optional shaft encoder)
- Ethernet Connection for remote monitoring, troubleshooting and set-up
- USB port can be used for storing set-up parameters

Options

- Blow-on or Tamp/blow, Corner-Wrap & Adjacent Panel Applicators
- Remote operator interface
- Label coders, i.e. Smart Date or Video Jet thermal transfer coders
- Ultrasonic label sensor for clear labels
- Alarm package with light stack and discrete outputs for specific alarms
- Dual unwinds with splicing table
- Larger capacity label roll unwinds
- Kits to run hang-tabs, Checkpoint, and Sensormatic tags

Accraply's Gold Standard of Service

"We commit to deliver the highest level of customer care driven by our passion to provide the best customer experience in everything we do."

Accraply is a leader in the design, manufacture, and support of automated label application systems as well as converting and finishing equipment for the shrink sleeve label and flexible packaging markets.

General Specifications

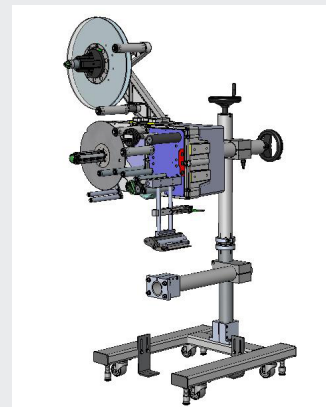
Label Stop Accuracy	+/- 0.5mm (0.19") fixed speed +/- 1mm (0.39") when speed following
Label Rolls	O.D. 400mm (16") Core: 76.2mm (3") or 101.6mm (6")
Electrical Requirements	110VAC, 50/60HZ, 5.1A 230VAC, 50/60 HZ, 2.1A
Weight	60 Kg (132 lbs.) approximately
Operating Temp.	5 - 40 C (41 - 104 F)
Humidity	30 - 85% non-condensing
Certifications	NRTL (US & CA), CE, IP21 (IP54 Optional)

306

Application Rate	60 meters (2,362 inches) per minute
Web Width	20 - 160 mm (.78" - 6.29")
Weight	38 kg (84 lbs)

309

Application Rate	45 meters (1,771 inches) per minute maximum
Web Width	20 - 233 mm (.78" - 9.17")
Label Width	20 - 600mm (.78" - 23.6")



* All specification and tooling requirements are subject to Accraply evaluation of all label and product samples. Specifications shown reflect standard machine capabilities. Accraply can also meet other specification requirements. Please call for details.

Accraply

Trine

Stanford

Graham | Sleeveit

Harland

Accraply

3580 Holly Lane North
Plymouth MN 55447-1269 USA

t. +1 (763) 557-1313
accraply.com

barrywehmler
bw
betterworld