



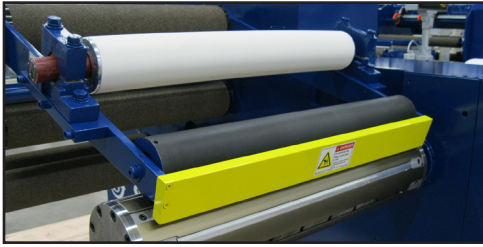
# 142HD Doctor Machine®



## Features

- Cantilevered design eases operation without the need to handle shafts
- Automatic tension control
- Rider roll for density control
- Automatic web guide
- Bowed roll for web separation after slitting
- AC Vector drive system
- Web break detection
- Programmable stop and early stop length
- Pneumatic trimming

# Stanford / 142HD Doctor Machine®



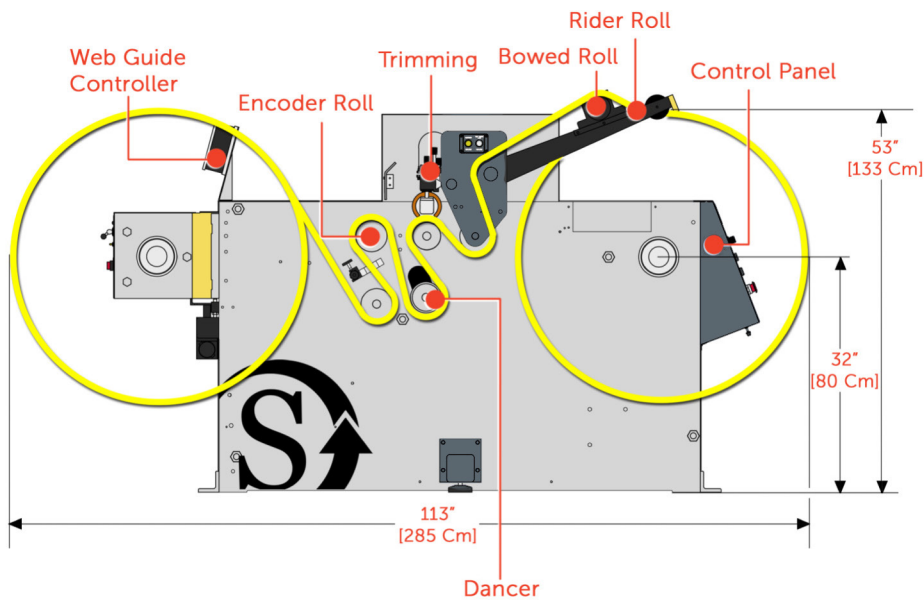
## The Original Heavy-Duty Doctor Machine®...

the Stanford 142HD provides an efficient method of salvaging defective material. Doctoring capabilities include the correction of telescoped rolls, removing defective stock, repairing splices, re-tensioning loose rolls, edge trimming and butt roll rewinding.

The range of materials easily handled by this model includes papers, self-adhesive label stock, polystyrene and stable film laminates.

Accraply engineers a large selection of Stanford Doctor Machines®, a complete line of duplex differential slitter rewinders and shrink sleeve finishing equipment, as well as customized equipment.

Minimum Web Width	24" [102mm]
Maximum Web Width	24" [610mm]
Maximum Web Speed*	1,500 fpm [457 mpm]
Maximum Unwind Diameter	42" [1,067mm]
Maximum Roll Weight	500 lbs [227 Kg]
Maximum Rewind Diameter	42" [1,067mm]
Tension	1.5 PLI [0.26 Kg/cm]
Total Minimum Tension	12 lbf [6.2 Kgfl]
Trimming Options	Razor Shear
Machine Options	Static Elimination Strobe



\* Max speed is a function of the material characteristics (including COF, coatings, ink adhesion, curing, and drying), gauge bands, tension and web width.

Accraply

Trine

Stanford

Graham

Sleevit

Harland

[accraply.com](http://accraply.com)

