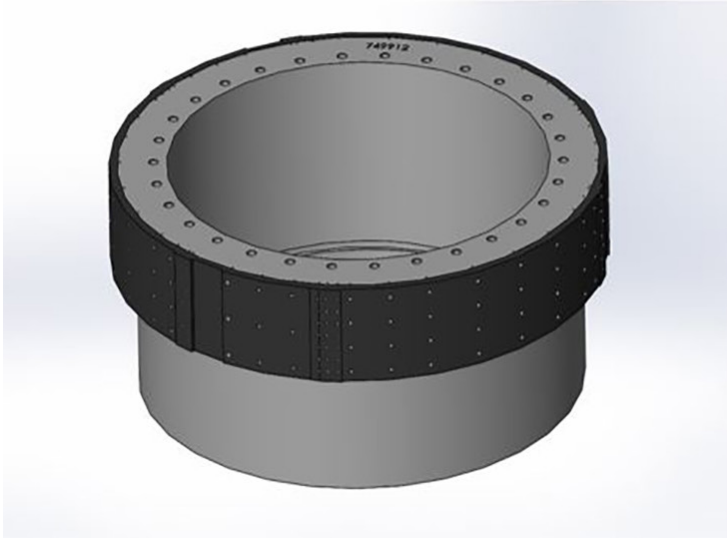


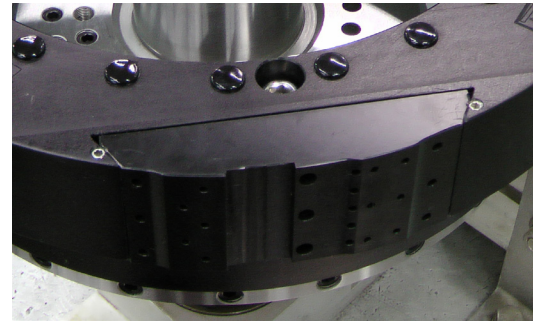
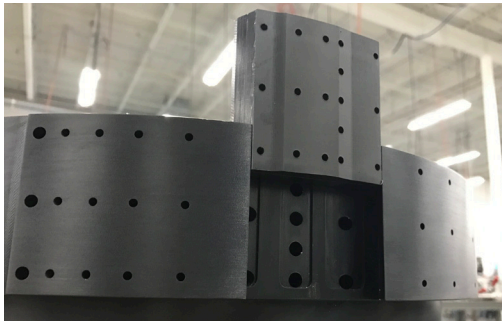
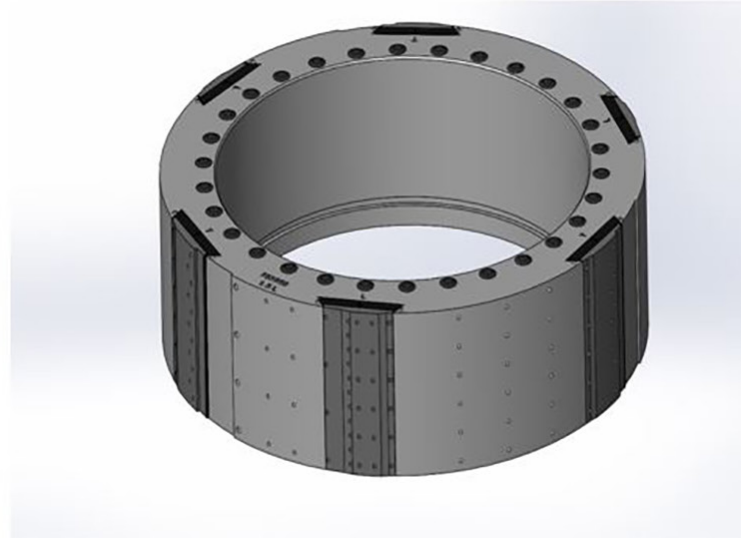


Insert Style Vacuum Drum

Original Design



Insert Design



Features

The Trine Insert Style Vacuum Drum offers strength, durability and longevity to your Trine Roll-Fed Labelling System without the need for multiple spare drums or the added expense of shipping worn drums for repadding.

- Saves time and money: these lightweight dual-composite inserts can be replaced in minutes.
- Saves inventory space: the inserts are compact and easily stored.
- Eliminates the need to return worn vacuum drums.
- Constructed of forged aluminum for optimal label handling.
- Available for the Trine 4000, 5000, 6000 and 7000 Series machines.